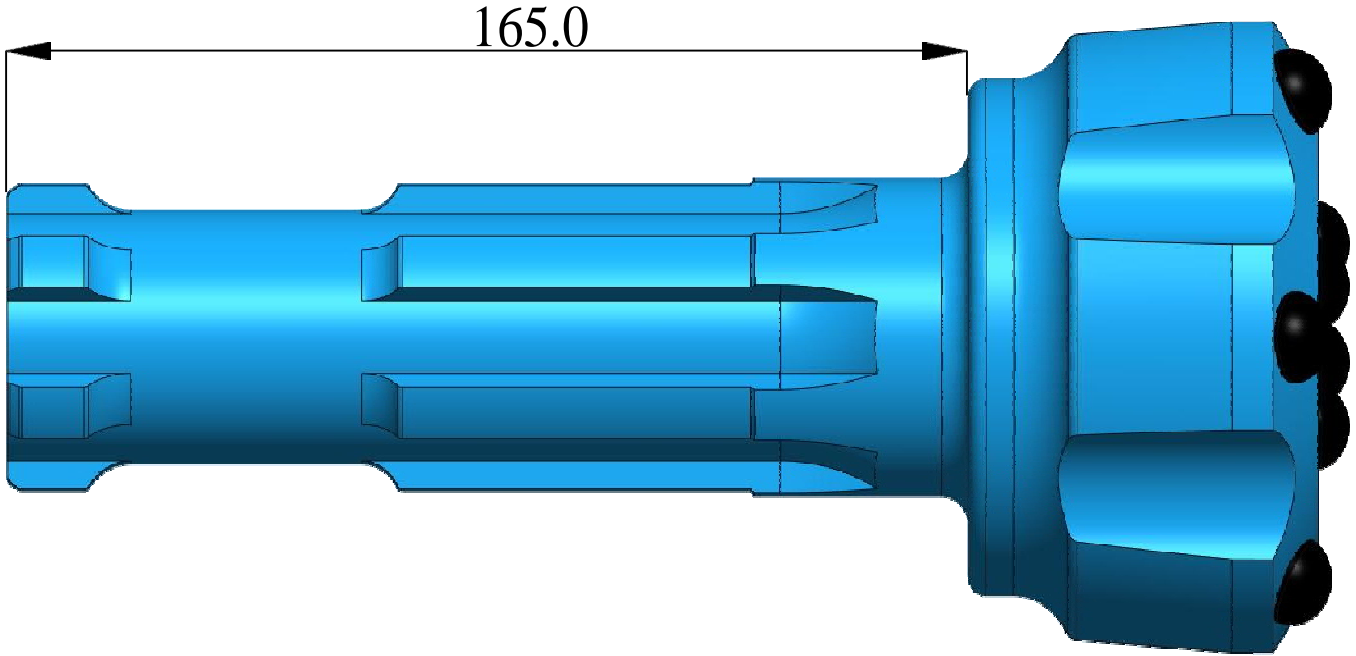




BULL ROCK DRILLS PRIVATE LIMITED

Write to us @ Plot. No. 34, IDA, Phase I, HCLPost, Cherlapally, Hyderabad-500051, Telangana, India.
 Virtually introducing us @ <http://www.bullrockdrillspvtltd.co.in>

BR-3 BUTTON BIT



No. of Splines: 06

FLAT FACE					
DIAMETER		FLUSH HOLES Qty	BUTTON Dia. x Qty		PRODUCT NO
MM	Inch		GAUGE	FACE	
90	3 1/2	2	13X06	13X04	01A22F903N
95	3 3/4	2	14X06	13X04	01A22F953N
100	3 15/16	2	14X06	13X04	01A22F1003N
102	4	2	14X06	13X04	01A22F1023N
105	4 1/8	2	14X06	13X06	01A22F1053N

CONCAVE FACE					
DIAMETER		FLUSH HOLES Qty	BUTTON Dia. x Qty		PRODUCT NO
MM	Inch		GAUGE	FACE	
90	3 1/2	2	14X06	13X05	01A22F901N
95	3 3/4	2	14X06	13X05	01A22F951N
100	3 15/16	2	14X06	13X06	01A22F1001N
102	4	2	14X06	13X06	01A22F1021N
105	4 1/8	2	14X06	13X07	01A22F1051N

CONVEX FACE					
DIAMETER		FLUSH HOLES Qty	BUTTON Dia. x Qty		PRODUCT NO
MM	Inch		GAUGE	FACE	
90	3 1/2	2	14X6	13X05	01A22F902N
95	3 3/4	2	14X6	13X05	01A22F952N
100	3 15/16	2	14X6	13X06	01A22F1002N
102	4	2	14X6	13X06	01A22F1022N
105	4 1/8	2	14X6	13X07	01A22F1052N