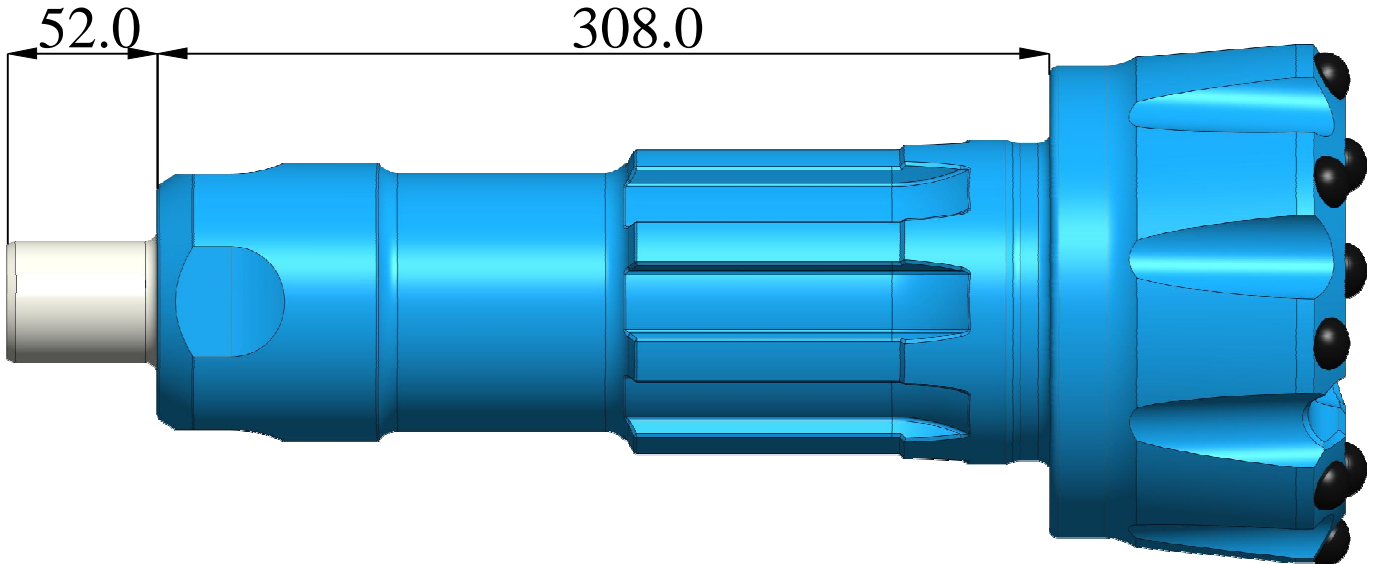




# BULL ROCK DRILLS PRIVATE LIMITED

Write to us @ Plot. No. 34, IDA, Phase I, HCLPost, Cherlapally, Hyderabad-500051, Telangana, India.  
 Virtually introducing us @ <http://www.bullrockdrillspvtltd.co.in>

## DHD360 BUTTON BIT



No. of Splines: 08

FLAT FACE					
DIAMETER		FLUSH HOLES	BUTTON Dia .x Qty		PRODUCT NO
MM	Inch	Qty	GAUGE	FACE	
152	6	2	16X08	16X09	01A112F1523N
165	6 1/2	2	16X10	16X10	01A112F1653N
172	6 3/4	2	16X10	16X10	01A112F1723N
178	7	2	16X10	16X12	01A112F1783N
203	8	2	16X10	16X14	01A112F2033N
216	8 1/2	2	16X10	16X16	01A112F2163N

CONCAVE FACE					
DIAMETER		FLUSH HOLES	BUTTON Dia .x Qty		PRODUCT NO
MM	Inch	Qty	GAUGE	FACE	
152	6	3	16X09	16X09	01A113F1521N
165	6 1/2	3	16X09	16X09	01A113F1651N
172	6 3/4	3	16X09	16X12	01A113F1721N
178	7	3	16X09	16X12	01A113F1781N
190	7 1/2	3	16X09	16X12	01A113F1901N
203	8	3	16X09	16X15	01A113F2031N
216	8 1/2	3	16X12	16X18	01A113F2161N

CONVEX FACE					
DIAMETER		FLUSH HOLES	BUTTON Dia .x Qty		PRODUCT NO
MM	Inch	Qty	GAUGE	FACE	
165	6 1/2	3	16X09	16X09	01A113F1652N
172	6 3/4	3	16X09	16X12	01A113F1652N
178	7	3	16X09	16X12	01A113F1652N