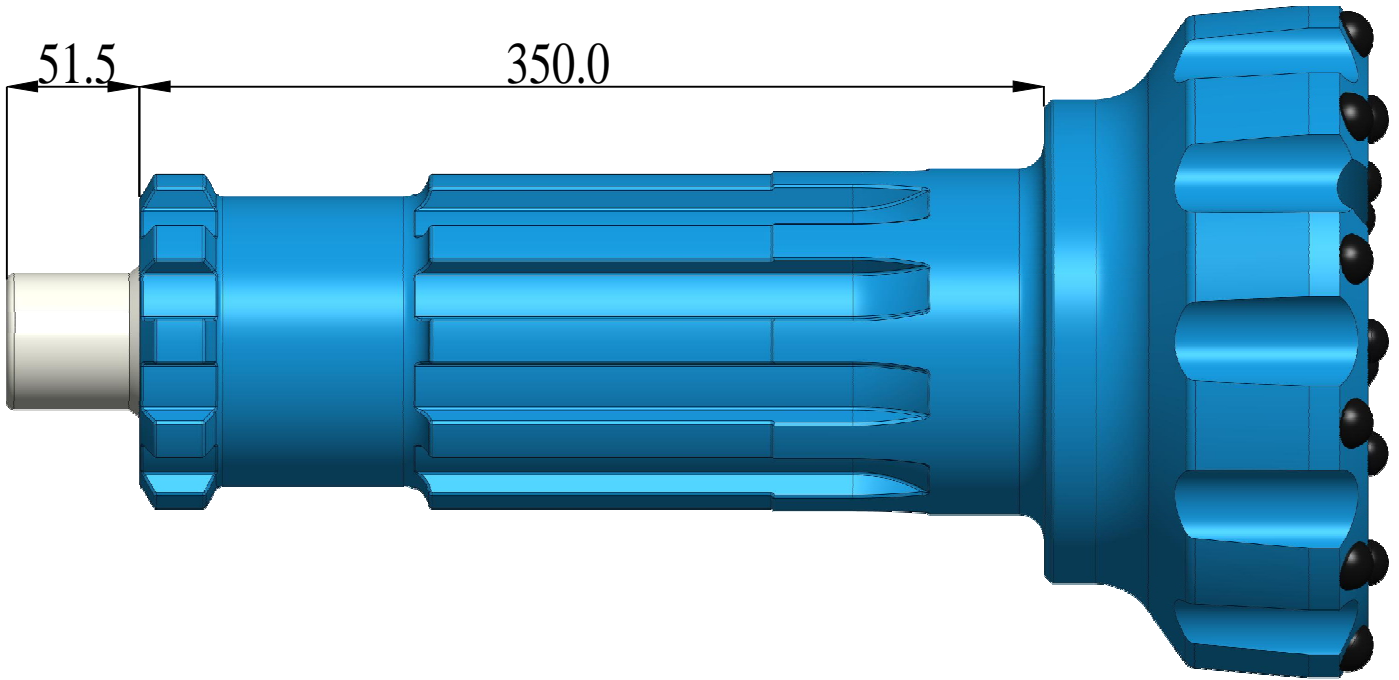




# BULL ROCK DRILLS PRIVATE LIMITED

Write to us @ Plot. No. 34, IDA, Phase I, HCLPost, Cherlapally, Hyderabad-500051, Telangana, India.  
 Virtually introducing us @ <http://www.bullrockdrillspvtltd.co.in>

## DHD380 BUTTON BIT



No. of Splines: 10

FLAT FACE					
DIAMETER		FLUSH HOLES	BUTTON Dia. x Qty		PRODUCT NO
MM	Inch	Qty	GAUGE	FACE	
203	8	2	18X10	16X14	01A122F2033N
216	8 1/2	2	18X10	16X16	01A122F2163N
222	8 3/4	2	18X10	16X17	01A122F2223N
228	9	2	18X10	16X18	01A122F2283N
241	9 1/2	3	18X12	16X19	01A123F2413N
254	10	3	18X12	16X20	01A123F2543N

CONCAVE FACE					
DIAMETER		FLUSH HOLES	BUTTON Dia. x Qty		PRODUCT NO
MM	Inch	Qty	GAUGE	FACE	
203	8	3	18X09	16X15	01A123F2031N
216	8 1/2	3	18X09	16X18	01A123F2161N
222	8 3/4	3	18X09	16X18	01A123F2221N
229	9	3	18X12	16X19	01A123F2291N
241	9 1/2	3	18X12	16X19	01A123F2411N
254	10	3	18X12	16X21	01A123F2541N