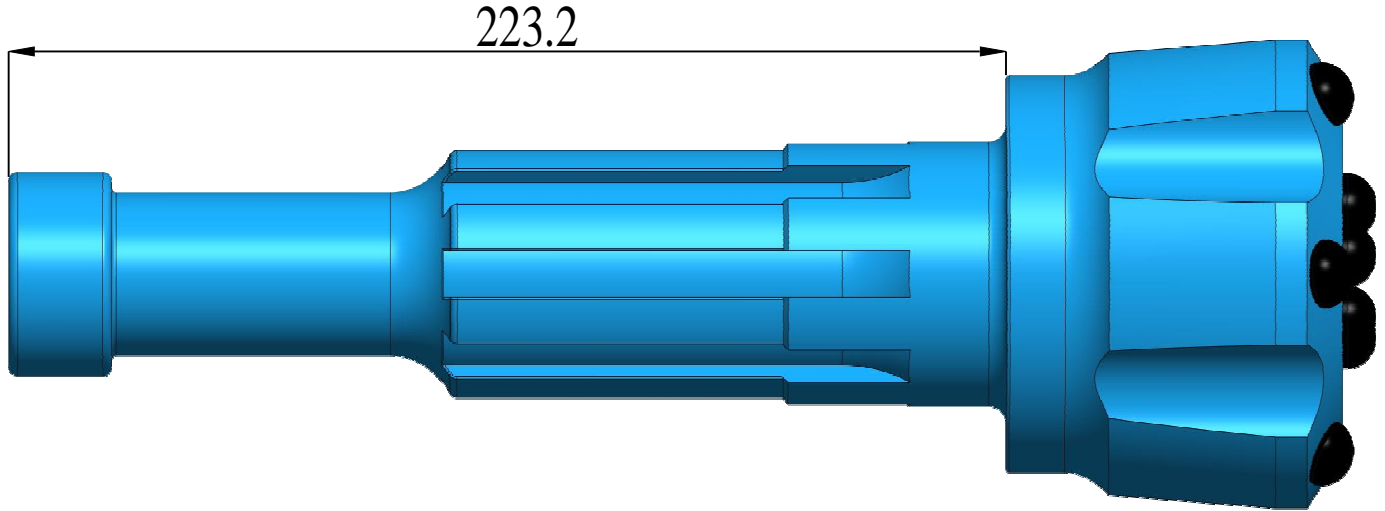




# BULL ROCK DRILLS PRIVATE LIMITED

Write to us @ Plot. No. 34, IDA, Phase I, HCLPost, Cherlapally, Hyderabad-500051, Telangana, India.  
 Virtually introducing us @ <http://www.bullrockdrillspvtltd.co.in>

## M30 BUTTON BIT



No. of Splines: 08

FLAT FACE					
DIAMETER		FLUSH HOLES Qty	BUTTON Dia. x Qty		PRODUCT NO
MM	Inch		GAUGE	FACE	
90	3 1/2	2	13X06	13X04	01A25F903N
95	3 3/4	2	14X06	13X04	01A25F953N
100	3 15/16	2	14X06	13X04	01A25F1003N
102	4	2	14X06	13X04	01A25F1023N
105	4 1/8	2	14X06	13X06	01A25F1053N

CONCAVE FACE					
DIAMETER		FLUSH HOLES Qty	BUTTON Dia. x Qty		PRODUCT NO
MM	Inch		GAUGE	FACE	
90	3 1/2	2	14X06	13X05	01A25F901N
95	3 3/4	2	14X06	13X05	01A25F951N
100	3 15/16	2	14X06	13X06	01A25F1001N
102	4	2	14X06	13X06	01A25F1021N
105	4 1/8	2	14X06	13X07	01A25F1051N

CONVEX FACE					
DIAMETER		FLUSH HOLES Qty	BUTTON Dia. x Qty		PRODUCT NO
MM	Inch		GAUGE	FACE	
90	3 1/2	2	14X06	13X05	01A25F902N
95	3 3/4	2	14X06	13X05	01A25F952N
100	3 15/16	2	14X06	13X06	01A25F1002N
102	4	2	14X06	13X06	01A25F1022N
105	4 1/8	2	14X06	13X07	01A25F1052N