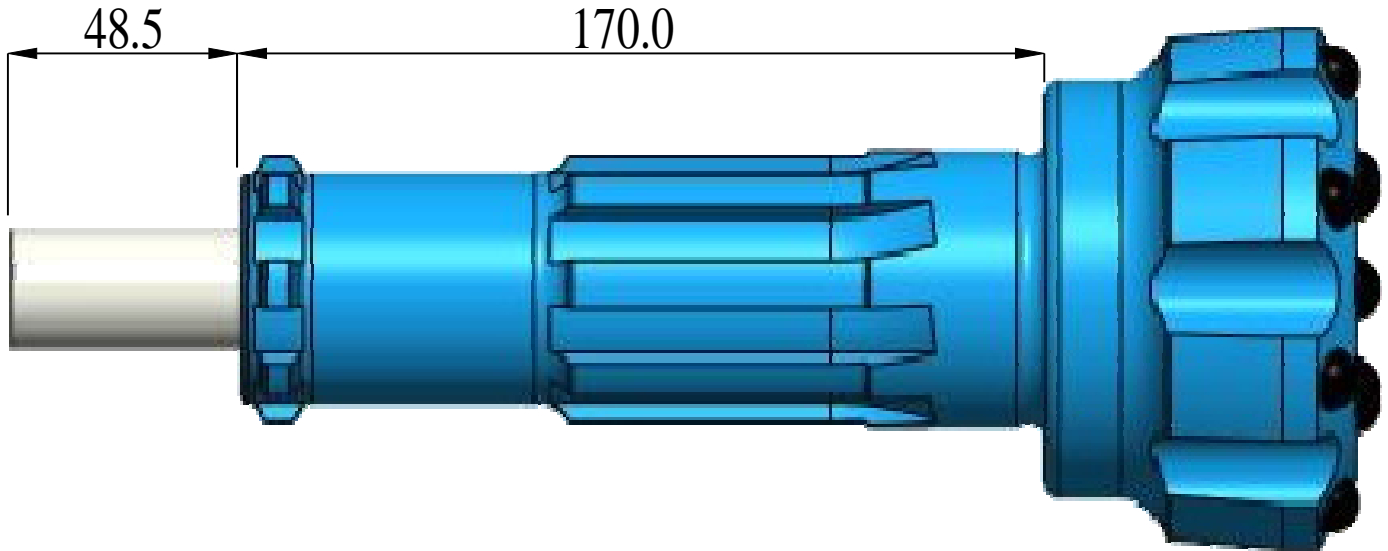




BULL ROCK DRILLS PRIVATE LIMITED

Write to us @ Plot. No. 34, IDA, Phase I, HCLPost, Cherlapally, Hyderabad-500051, Telangana, India.
 Virtually introducing us @ <http://www.bullrockdrillspvtltd.co.in>

MACH-33 BUTTON BIT



No. of Splines: 08

FLAT FACE					PRODUCT NO
DIAMETER		FLUSH HOLES	BUTTON Dia. x Qty		
MM	Inch	Qty	GAUGE	FACE	
90	3 1/2	2	13X06	13X04	01A42F903N
95	3 3/4	2	14X06	13X04	01A42F953N
100	3 15/16	2	14X06	13X04	01A42F1003N
102	4	2	14X06	13X04	01A42F1023N
105	4 1/8	2	14X06	13X06	01A42F1053N

CONCAVE FACE					PRODUCT NO
DIAMETER		FLUSH HOLES	BUTTON Dia. x Qty		
MM	Inch	Qty	GAUGE	FACE	
90	3 1/2	2	14X06	13X05	01A42F901N
95	3 3/4	2	14X06	13X05	01A42F951N
100	3 15/16	2	14X06	13X06	01A42F1001N
102	4	2	14X06	13X06	01A42F1021N
105	4 1/8	2	14X06	13X07	01A42F1051N

CONVEX FACE					PRODUCT NO
DIAMETER		FLUSH HOLES	BUTTON Dia. x Qty		
MM	Inch	Qty	GAUGE	FACE	
90	3 1/2	2	14X6	13X05	01A42F902N
95	3 3/4	2	14X6	13X05	01A42F952N
100	3 15/16	2	14X6	13X06	01A42F1002N
102	4	2	14X6	13X06	01A42F1022N
105	4 1/8	2	14X6	13X07	01A42F1052N