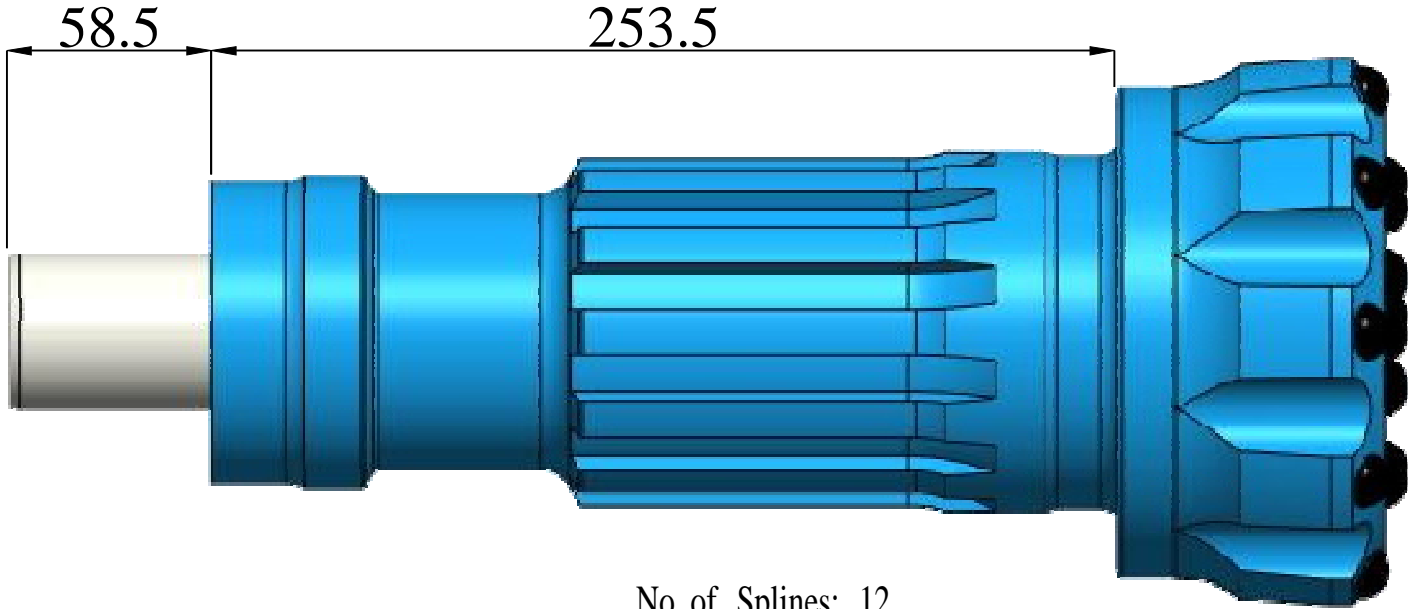




# BULL ROCK DRILLS PRIVATE LIMITED

Write to us @ Plot. No. 34, IDA, Phase I, HCLPost, Cherlapally, Hyderabad-500051, Telangana, India.  
 Virtually introducing us @ <http://www.bullrockdrillspvtltd.co.in>

## QL60 BUTTON BIT



No. of Splines: 12

| FLAT FACE |       |             |                   |       | PRODUCT NO   |
|-----------|-------|-------------|-------------------|-------|--------------|
| DIAMETER  |       | FLUSH HOLES | BUTTON Dia .x Qty |       |              |
| MM        | Inch  | Qty         | GAUGE             | FACE  |              |
| 152       | 6     | 2           | 16X08             | 16X09 | 01A152F1523N |
| 165       | 6 1/2 | 2           | 16X10             | 16X10 | 01A152F1653N |
| 172       | 6 3/4 | 2           | 16X10             | 16X10 | 01A152F1723N |
| 178       | 7     | 2           | 16X10             | 16X12 | 01A152F1783N |
| 203       | 8     | 2           | 16X10             | 16X14 | 01A152F2033N |
| 216       | 8 1/2 | 2           | 16X10             | 16X16 | 01A152F2163N |

| CONCAVE FACE |       |             |                   |       | PRODUCT NO   |
|--------------|-------|-------------|-------------------|-------|--------------|
| DIAMETER     |       | FLUSH HOLES | BUTTON Dia .x Qty |       |              |
| MM           | Inch  | Qty         | GAUGE             | FACE  |              |
| 152          | 6     | 3           | 16X09             | 16X09 | 01A153F1521N |
| 165          | 6 1/2 | 3           | 16X09             | 16X09 | 01A153F1651N |
| 172          | 6 3/4 | 3           | 16X09             | 16X12 | 01A153F1721N |
| 178          | 7     | 3           | 16X09             | 16X12 | 01A153F1781N |
| 190          | 7 1/2 | 3           | 16X09             | 16X12 | 01A153F1901N |
| 203          | 8     | 3           | 16X09             | 16X15 | 01A153F2031N |
| 216          | 8 1/2 | 3           | 16X12             | 16X18 | 01A153F2161N |

| CONVEX FACE |       |             |                   |       | PRODUCT NO   |
|-------------|-------|-------------|-------------------|-------|--------------|
| DIAMETER    |       | FLUSH HOLES | BUTTON Dia .x Qty |       |              |
| MM          | Inch  | Qty         | GAUGE             | FACE  |              |
| 165         | 6 1/2 | 3           | 16X09             | 16X09 | 01A153F1652N |
| 172         | 6 3/4 | 3           | 16X09             | 16X12 | 01A153F1652N |
| 178         | 7     | 3           | 16X09             | 16X12 | 01A153F1652N |