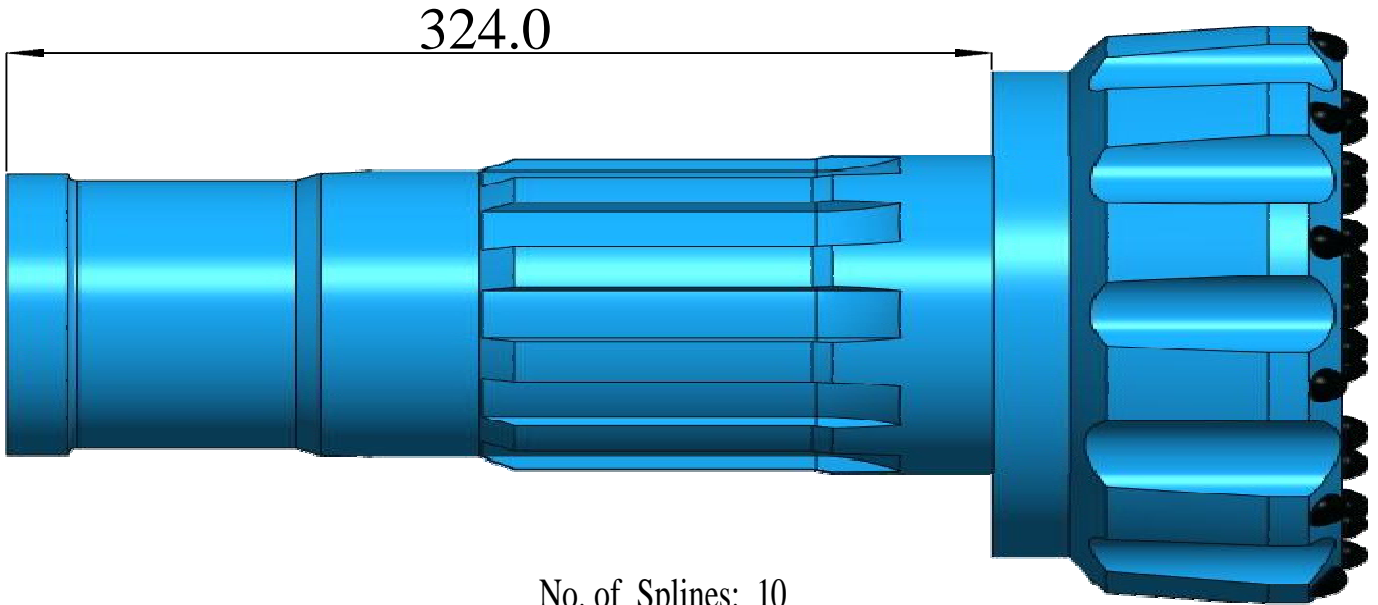




BULL ROCK DRILLS PRIVATE LIMITED

Write to us @ Plot. No. 34, IDA, Phase I, HCLPost, Cherlapally, Hyderabad-500051, Telangana, India.
 Virtually introducing us @ <http://www.bullrockdrillspvtltd.co.in>

RK3 BUTTON BIT



No. of Splines: 10

FLAT FACE					
DIAMETER		FLUSH HOLES	BUTTON Dia .x Qty		PRODUCT NO
MM	Inch	Qty	GAUGE	FACE	
305	12	3	18X12	16X31	01A353F3053N
330	13	3	18X12	16X34	01A353F3563N
356	14	3	18X12	16X37	01A353F3563N
406	16	3	18X12	16X45	01A353F4063N
457	18	3	18X15	16X53	01A353F4573N
483	19	3	18X18	16X57	01A353F4833N
508	20	3	18X18	16X60	01A353F5083N

CONCAVE FACE					
DIAMETER		FLUSH HOLES	BUTTON Dia. x Qty		PRODUCT NO
MM	Inch	Qty	GAUGE	FACE	
305	12	3	18X12	16X33	01A353F3051N
330	13	3	18X12	18X37	01A353F3301N

STEP BITS					
DIAMETER		FLUSH HOLES	BUTTON Dia .x Qty		PRODUCT NO
MM	Inch	Qty	GAUGE	FACE	
305/228	12/09	3	18x12	16x30	01A353F3054N
330/228	13/09	3	18x12	16x39	01A353F3304N
356/254	14/10	3	18x12	16x40	01A353F3564N
406/305	16/12	3	18x15	16x57	01A353F4064N
432/330	17/13	3	18x15	16x60	01A353F4324N
457/356	18/14	3	18x15	16x65	01A353F4574N
483/356	19/14	3	18x18	16x70	01A353F4834N
508/356	20/14	3	18x18	16x102	01A353F5084N