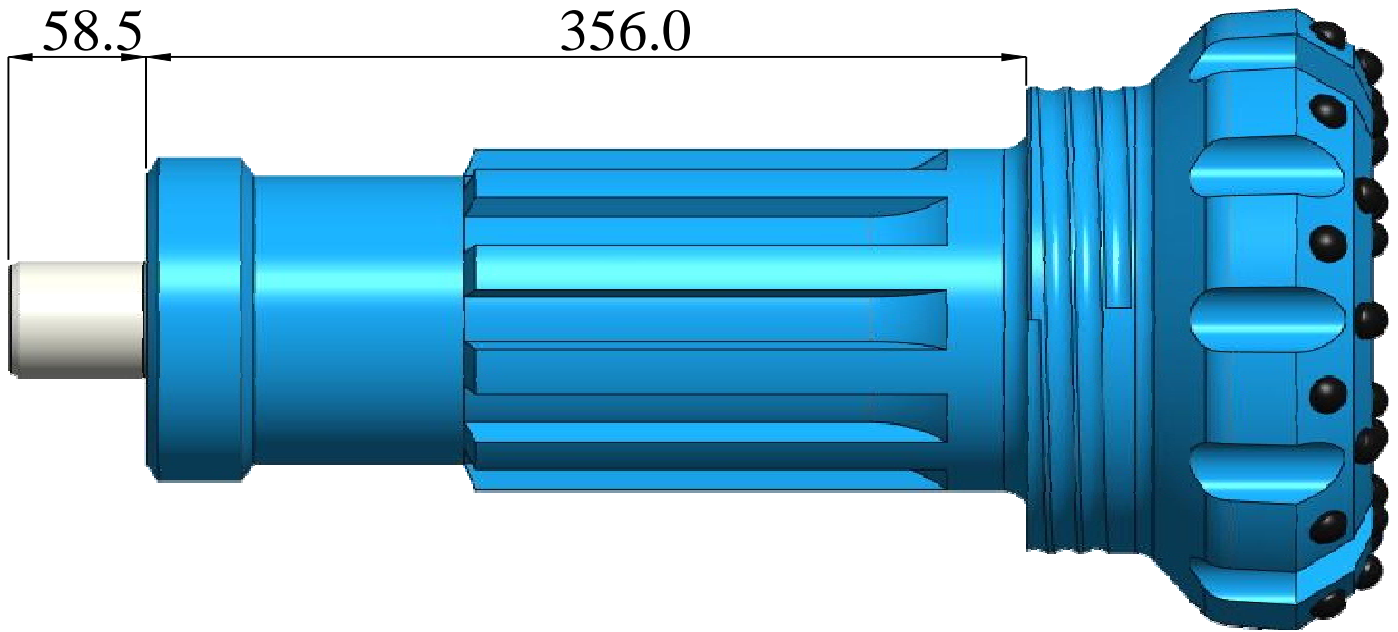




BULL ROCK DRILLS PRIVATE LIMITED

Write to us @ Plot. No. 34, IDA, Phase I, HCLPost, Cherlapally, Hyderabad-500051, Telangana, India.
 Virtually introducing us @ <http://www.bullrockdrillspvtltd.co.in>

SD10 BUTTON BIT



No. of Splines: 8

FLAT FACE					PRODUCT NO
DIAMETER		FLUSH HOLES	BUTTON Dia .x Qty		
MM	Inch	Qty	GAUGE	FACE	
254	10	2	18x12	16x20	01A222F2543N
280	11	2	18x12	16x24	01A222F2803N
305	12	3	18x12	16x31	01A223F3053N
330	13	3	18x12	16x34	01A223F3303N
356	14	3	18x12	16x37	01A223F3563N
406	16	3	18x15	18x45	01A223F4063N
457	18	3	18x15	16x53	01A223F4573N
483	19	3	18x18	16x57	01A223F4833N

CONCAVE FACE					PRODUCT NO
		FLUSH HOLES	BUTTON Dia .x Qty		
MM	Inch	Qty	GAUGE	FACE	
254	10	3	18x12	16x18	01A223F2541N
280	11	3	18x12	16x21	01A223F2801N
292	11 1/2	3	18x12	16x33	01A223F2921N
305	12	3	18x12	16x33	01A223F3051N
318	12 1/2	3	18x12	16x35	01A223F3181N