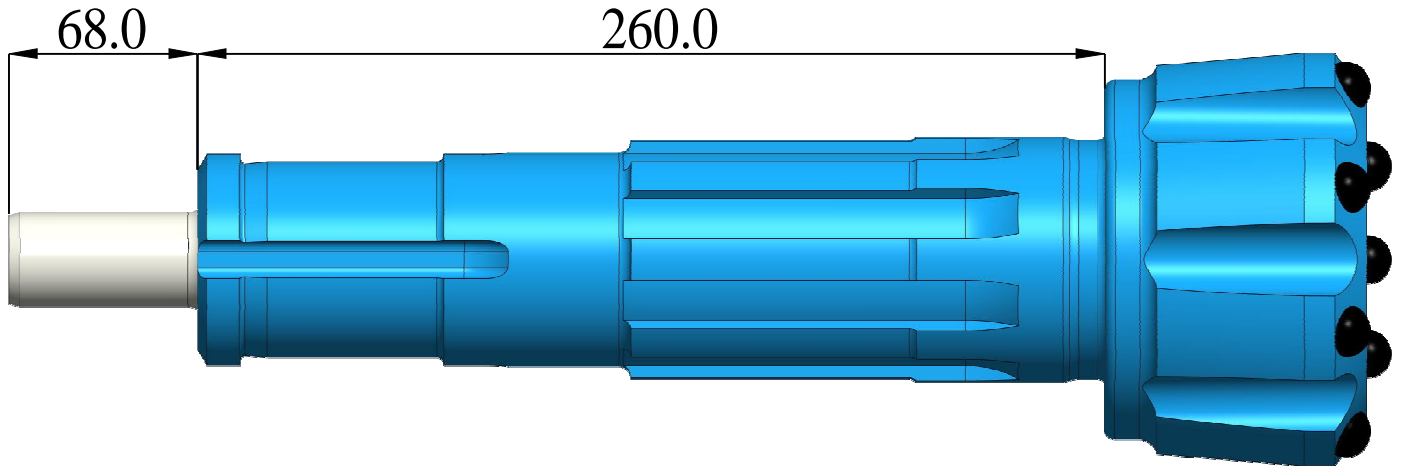




# BULL ROCK DRILLS PRIVATE LIMITED

Write to us @ Plot. No. 34, IDA, Phase I, HCLPost, Cherlapally, Hyderabad-500051, Telangana, India.  
 Virtually introducing us @ <http://www.bullrockdrillspvtltd.co.in>

## SD4 BUTTON BIT



No. of Splines: 08

FLAT FACE					PRODUCT NO
DIAMETER		FLUSH HOLES	BUTTON Dia .x Qty		
MM	Inch	Qty	GAUGE	FACE	
115	4 1/2	2	14X08	13X06	01A182F1153N
121	4 3/4	2	14X08	13X07	01A182F1213N
127	5	2	14X08	13X08	01A182F1273N
130	5 1/8	2	14X08	13X08	01A182F1303N

CONCAVE FACE					PRODUCT NO
DIAMETER		FLUSH HOLES	BUTTON Dia. x Qty		
MM	Inch	Qty	GAUGE	FACE	
115	4 1/2	2	14X08	13X08	01A182F1151N
127	5	2	14X08	13X09	01A182F1271N
130	5 1/8	2	14X08	13X09	01A182F1301N

CONVEX FACE					PRODUCT NO
DIAMETER		FLUSH HOLES	BUTTON Dia .x Qty		
MM	Inch	Qty	GAUGE	FACE	
115	4 1/2	2	14X08	13X08	01A182F1152N
127	5	2	14X08	13X09	01A182F1272N
130	5 1/8	2	14X08	13X09	01A182F1302N