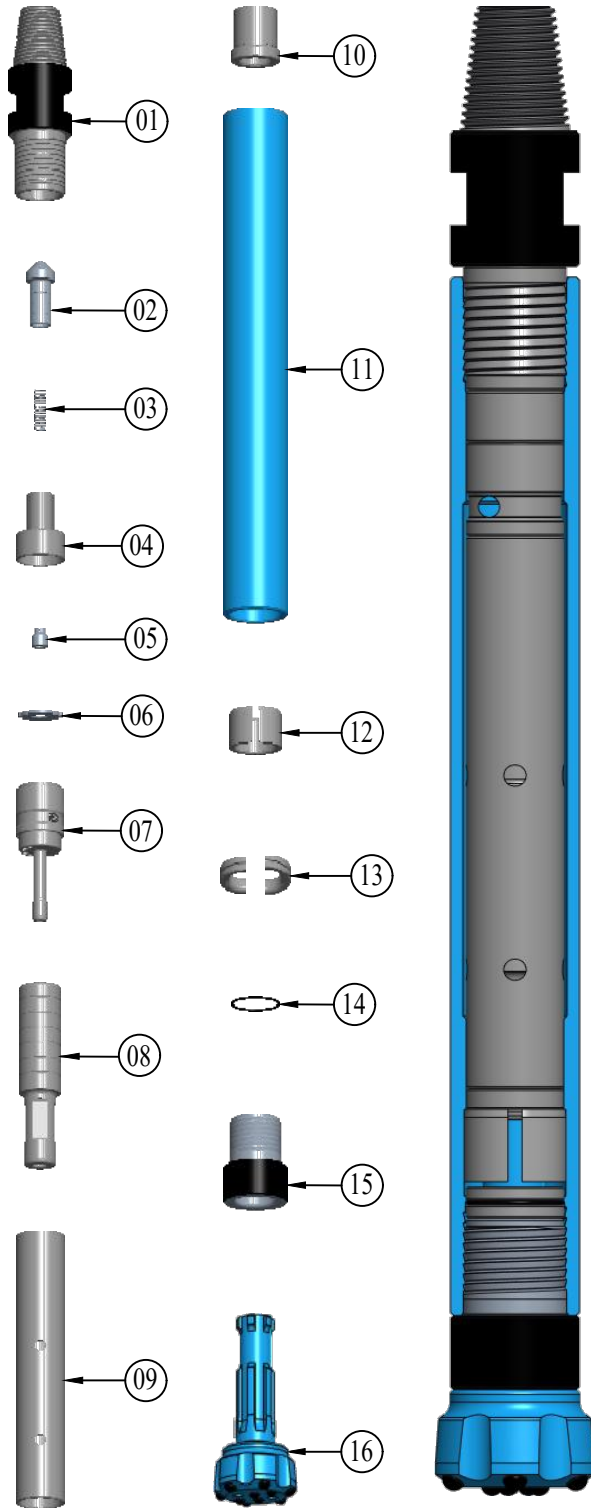




# BULL ROCK DRILLS PRIVATE LIMITED

Write to us @ Plot. No. 34, IDA, Phase I, HCL Post, Cherlapally, Hyderabad-500051, Telangana, India.  
 Virtually introducing us @ <http://www.bullrockdrillspvtltd.co.in>

## HAWK-3 DTH HAMMER EXPLODED & CROSS SECTIONAL VIEW



### PART LIST

SI.NO.	DESCRIPTION	DRW.NO.
01	HAMMER COUPLER	01-B-H3-01
02	CHECK VALVE	01-B-H3-02
03	SPRING	01-B-H3-03
04	TOP VALVE	01-B-H3-04
05	METERING PLUG	01-B-H3-05
06	DISC VALVE	01-B-H3-06
07	LOWER VALVE	01-B-H3-07
08	PISTON	01-B-H3-08
09	LINER	01-B-H3-09
10	GUIDE BUSH	01-B-H3-10
11	HAMMER CASE	01-B-H3-11
12	RETAINER BUSH	01-B-H3-12
13	B.R.RING	01-B-H3-13
14	B.R.RING 'O' RING	01-B-H3-14
15	FRONT CHUCK	01-B-H3-15
16	BUTTON BIT	BR-3
	HAMMER ASSEMBLY	01-B-H3-2-1P-2

### SPECIFICATIONS

	HAMMER TYPE	VALVE TYPE
01	HAMMER DIA	Ø78.0mm
02	CYLINDER BORE	Ø50.8mm
03	STROKE	80.0mm
04	LENGTH WITH OUT BIT	769.0mm
05	WEIGHT WITHOUT BIT	23.0 Kgs
06	END CONNECTION	2 3/8" API REG. PIN
07	WRENCH FLAT SIZE	A/F 58.0 mm / 33.0 mm Wide
08	DRILLING RANGE	Ø85.0mm - Ø100.0mm
09	SUITABLE BUTTON BIT	BR-3

### AIR CONSUMPTION

PSI	100	150	200	250
CFM	130	195	260	325

### NOTE:

TOP SUB TAPER THREAD CONNECTION SHALL BE PROVIDED AS PER CUSTOMER REQUIREMENT.

DUE TO CONTINUES PRODUCT DEVELOPMENT SPECIFICATIONS ARE SUBJECT TO CHANGE WITHOUT PRIOR NOTICE.