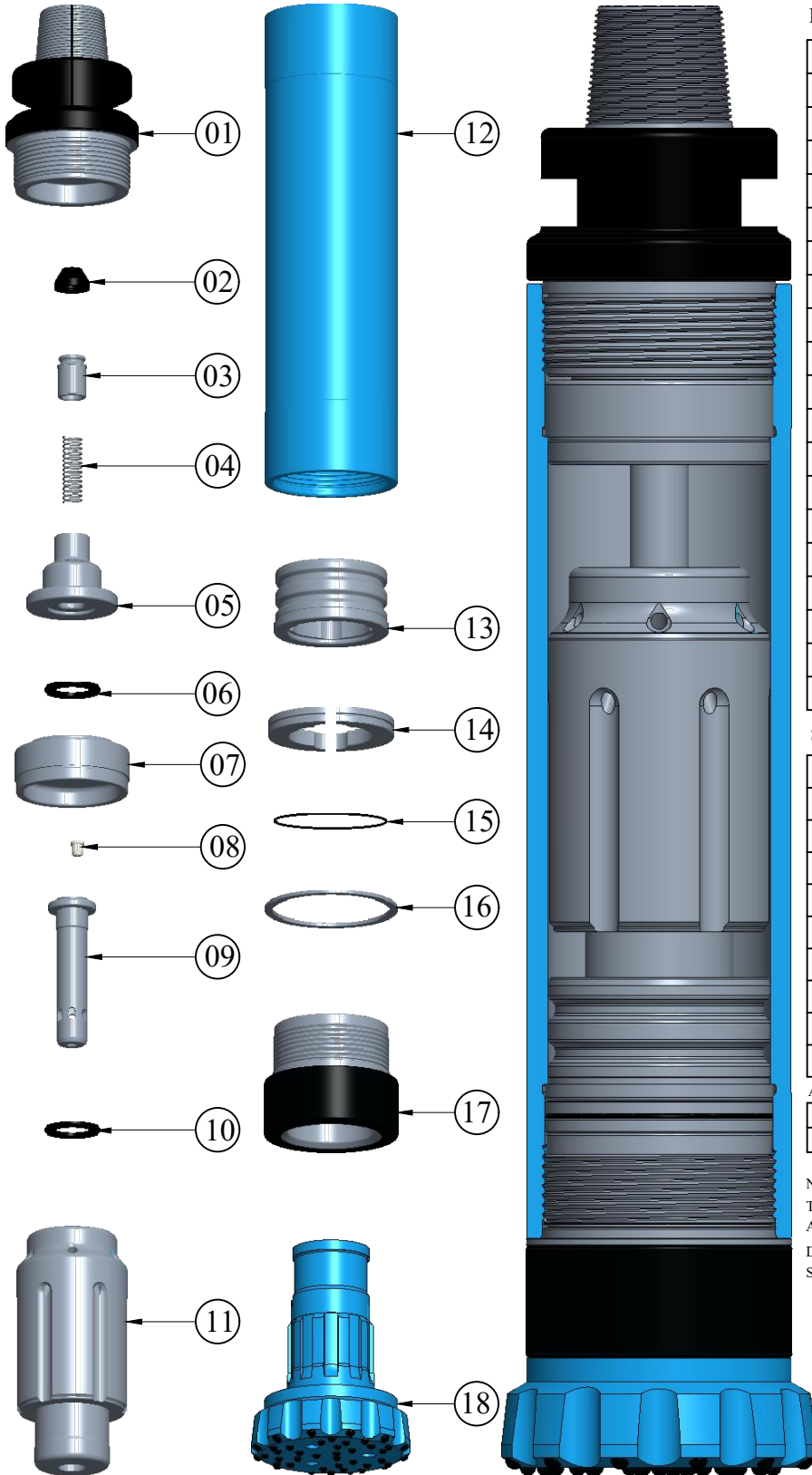




# BULL ROCK DRILLS PRIVATE LIMITED

Write to us @ Plot. No. 34, IDA, Phase I, HCL Post, Cherlapally, Hyderabad-500051, Telangana, India.  
Virtually introducing us @ <http://www.bullrockdrillspvtltd.co.in>

## TURBO-13 DTH HAMMER EXPLODED & CROSS SECTIONAL VIEW



### PART LIST

SI.NO.	DESCRIPTION	DRW.NO.
01	HAMMER COUPLER	01-B-T13-01
02	CHECK VALVE CAP	01-B-T13-02
03	CHECK VALVE	01-B-T13-03
04	SPRING	01-B-T13-04
05	AIR DISTRIBUTOR	01-B-T13-05
06	BUFFER RING	01-B-T13-06
07	CONTROL TUBE HOLDER	01-B-T13-07
08	CHOKE	01-B-T13-08
09	CONTROL TUBE	01-B-T13-09
10	BUFFER RING	01-B-T13-10
11	PISTON	01-B-T13-11
12	HAMMER CASE	01-B-T13-12
13	GUIDE BUSH	01-B-T13-13
14	B.R.RING	01-B-T13-14
15	B.R.RING 'O' RING	01-B-T13-15
16	FRONT CHUCK SPACER	01-B-T13-16
17	FRONT CHUCK	01-B-T13-17
18	BUTTON BIT	RK-III
	HAMMER ASSEMBLY	01-B-T13-35-10P-2

### SPECIFICATIONS

01	HAMMER TYPE	VALVELESS
02	HAMMER DIA	Ø274.0 mm
03	CYLINDER BORE	Ø230.00 mm
04	STROKE	90.0mm
05	LENGTH WITH OUT BIT	1274.0mm
06	WEIGHT WITHOUT BIT	435.0 Kgs Approx.
07	END CONNECTION	6% API Reg.Pin
08	WRENCH FLAT SIZE	A/F 170.0mm / 50.0 mm Wide
09	DRILLING RANGE	Ø305.0mm - Ø405.0mm
10	SUITABLE BUTTON BIT	RK-III

### AIR CONSUMPTION

PSI	150	200	250	300	350	400
CFM	750	900	1050	1200	1350	1500

### NOTE:

TOP SUB TAPER THREAD CONNECTION SHALL BE PROVIDED AS PER CUSTOMER REQUIREMENT.

DUE TO CONTINUES PRODUCT DEVELOPMENT SPECIFICATIONS ARE SUBJECT TO CHANGE WITHOUT PRIOR NOTICE.